

Dante

B&T



Dante

Chair - Bar Stool

Indoor



Dante

Chair - Bar Stool

Indoor

Dante

Meet Dante with its twisted back and legs with a linear form, where familiar forms turn into a unique design, and the wood captures integrity by being processed in a continuous flow.

Dante



Chair - Bar Stool

Indoor



Designed in two models as chair and bar stool, the Dante Series reflects its character exclusive to each space, with the rich texture of wood reinforcing its silhouette formed by its perfectly twisted body and clearly linear forms.

Designer

B&T Design Studio - 2020

Dante

Chair - Bar Stool

Indoor



Product Details



Standing out with its comfortable experience and timeless style as well as its solidity, Dante offers an unfaltering, long-lasting use thanks to its main material, wood, being strengthened with the metal frame under the seat surface.



Designed in three different design alternatives, completely wooden, or with upholstered seat and back, or with upholstered seat Dante meets different needs.



Dante

Chair - Bar Stool

Indoor

Finish Options

A rich range of material choices is provided for Dante series to create the best match within interior style.

Wood Finishes



Upholstery


Fabric, Leather, Artificial Leather.
COM and COL options are also available

Chair

textile fabric (mt)	0,55
real leather (m ²)	1

Bar Stool

textile fabric (mt)	0,55
real leather (m ²)	0,85

 The metal frame under the seat is Precious Sand for the Natural Solid Wood.
For other colors, it matches the wood color.

More options are downloadable in the catalogues

MATERIAL CATALOGUE



FABRIC & LEATHER CATALOGUE



Models of Product

Chair

Plain



Seat Upholstered



Upholstered



Dante

Chair - Bar Stool

Indoor

Models of Product

Bar Stool

Plain



Seat Upholstered



Upholstered



Dante

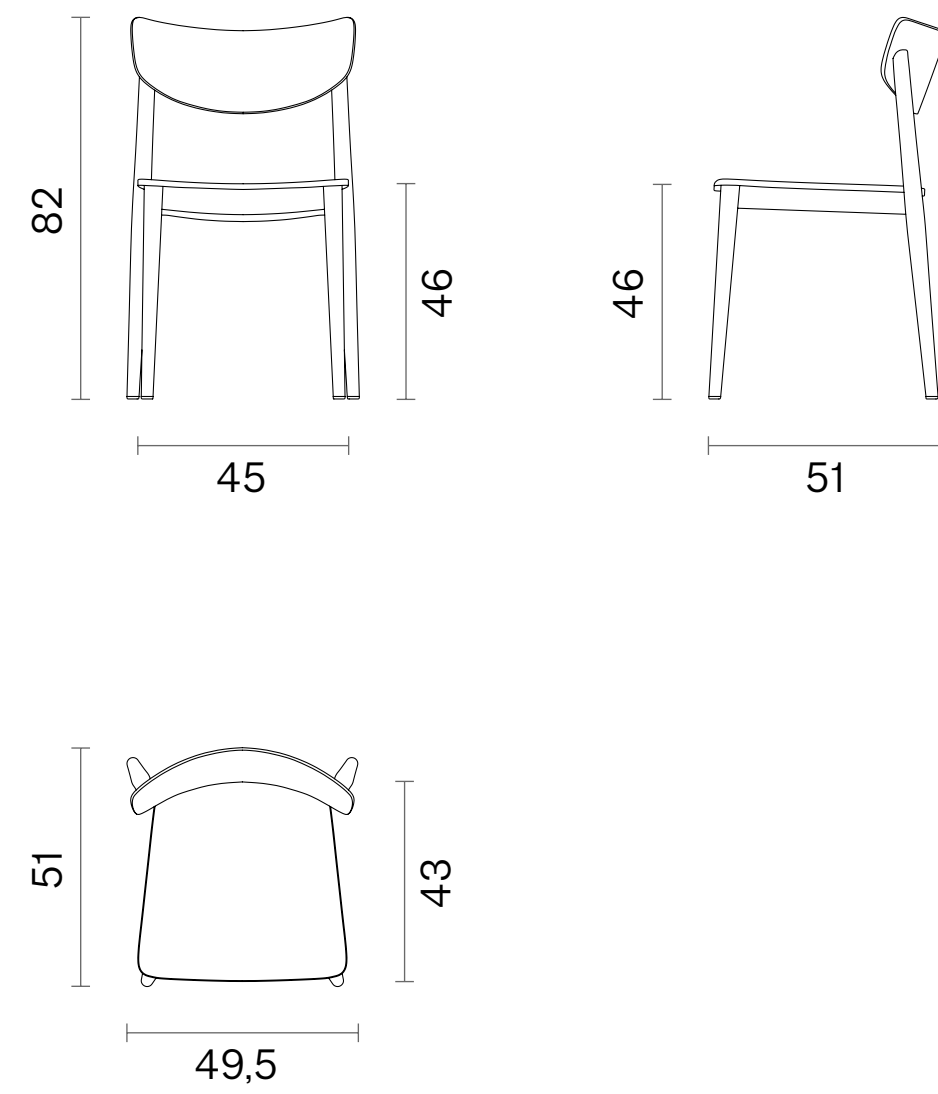
Chair - Bar Stool

Indoor

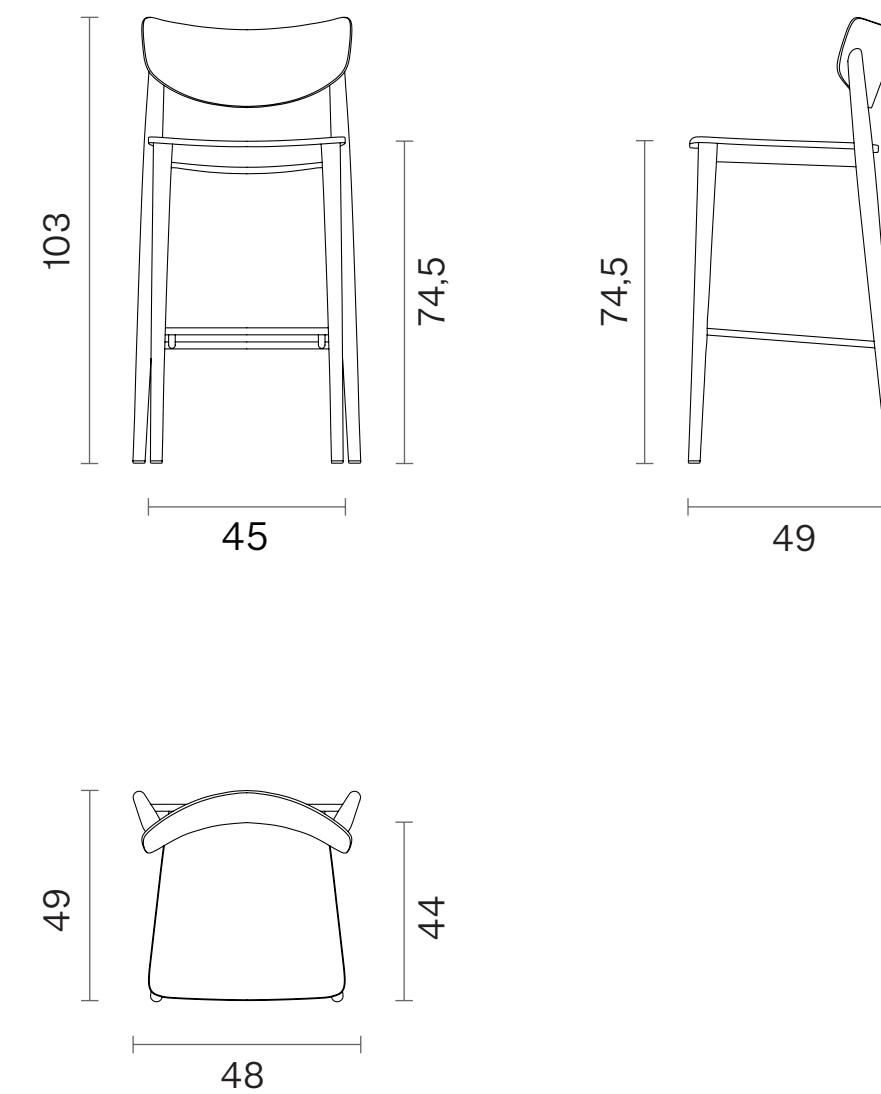
Dimensions (cm)

Chair

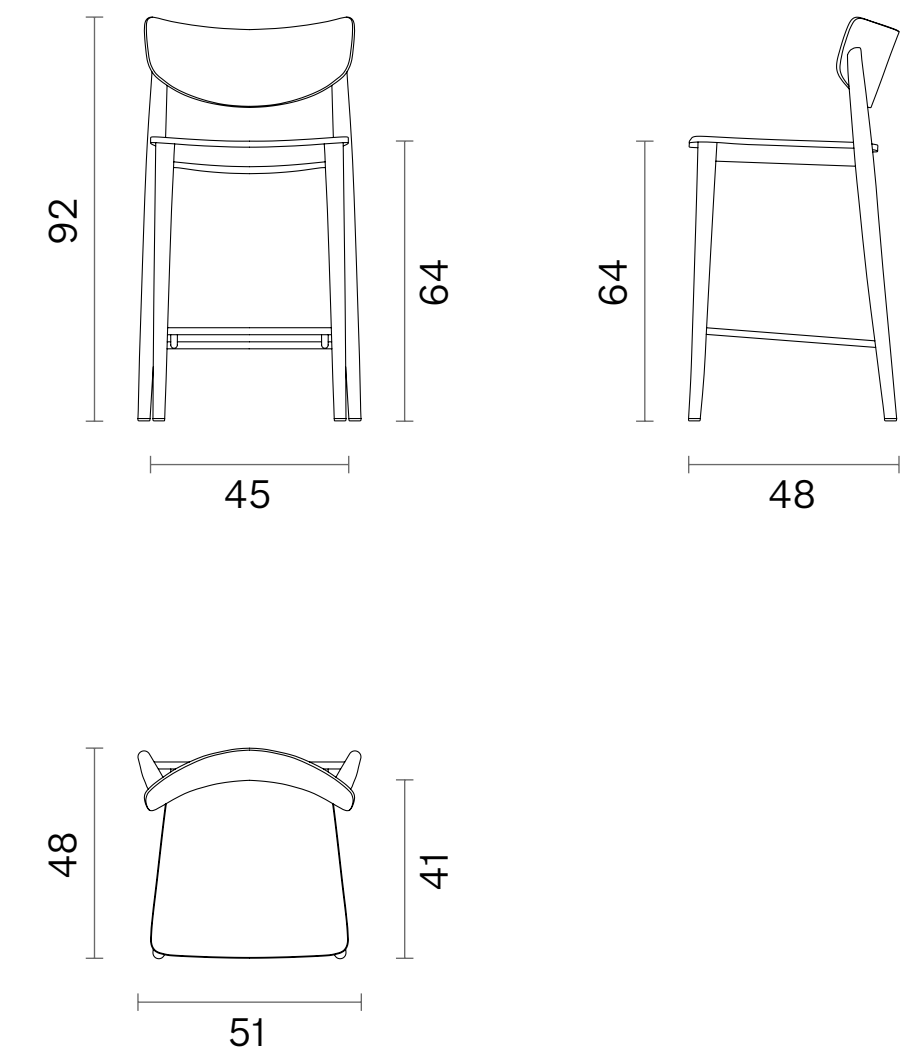
Chair



Bar



Kitchen



Downloads

2D & 3D FILES



PRODUCT IMAGES



CERTIFICATES




You can run this product
with following system:



Dante

Chair - Bar Stool

Indoor

Technical Specifications		Chair
Package Dimensions (cm)	Plain Seat Upholstered Upholstered	50x70x98 quantity in box: 2 50x70x98 quantity in box: 2 50x70x98 quantity in box: 2
Volume (m³)	Plain Seat Upholstered Upholstered	0,35 0,35 0,35
Weight (kg)	Plain Seat Upholstered Upholstered	6,5 7 6,9
Seat / Back	10 mm Plywood + HR Foam	
Structure	Plain Seat Upholstered Upholstered	Solid Ashwood / Solid Beechwood + Metal + Electrostatic Powder Coated
Strackable	 3	Stacking is not recommended for upholstered

The metal frame under the seat is Precious Sand for the Natural Solid Wood.
For other colors, it matches the wood color.

Please choose the metal foot rest color.

Plain: No upholstery, S-UP: Seat upholstered, UP: Upholstered

CARE AND MAINTENANCE



Care and maintenance instructions &
warranty certificate **click and download**

Dante

Technical Specifications		Bar Stool
Package Dimensions (cm)	Bar Kitchen	54x54x105 quantity in box: 1 53x52x100 quantity in box: 2
Volume (m³)	Bar Kitchen	0,31 0,29
Weight (kg)	Bar Kitchen	8,8 7,8
Seat / Back	10 mm Plywood	
Structure	Bar Kitchen	Solid Ashwood + Metal / Solid Beechwood

Chair - Bar Stool

Indoor



Dante

Chair - Bar Stool

Indoor



www.bt.design

Showroom

Istanbul
istanbul@bt.design

Ankara
ankara@bt.design

London
london@bt.design

Factory

Istanbul
fabrika@bt.design

Bulgaria
europa@bt.design

Export

export@bt.design